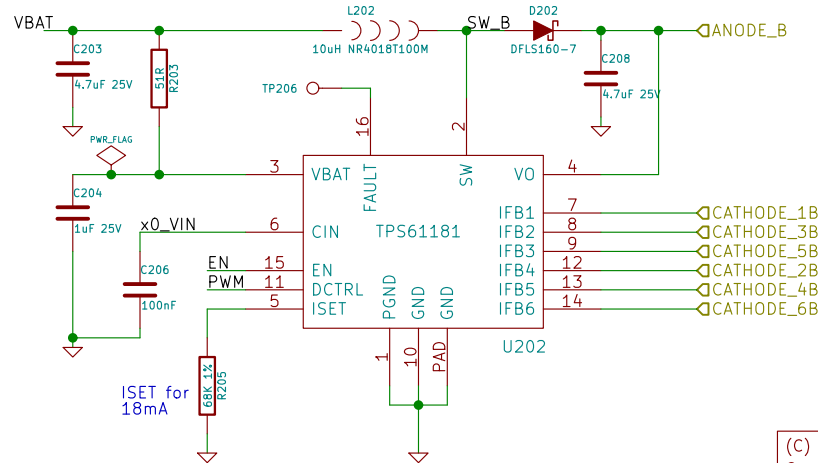
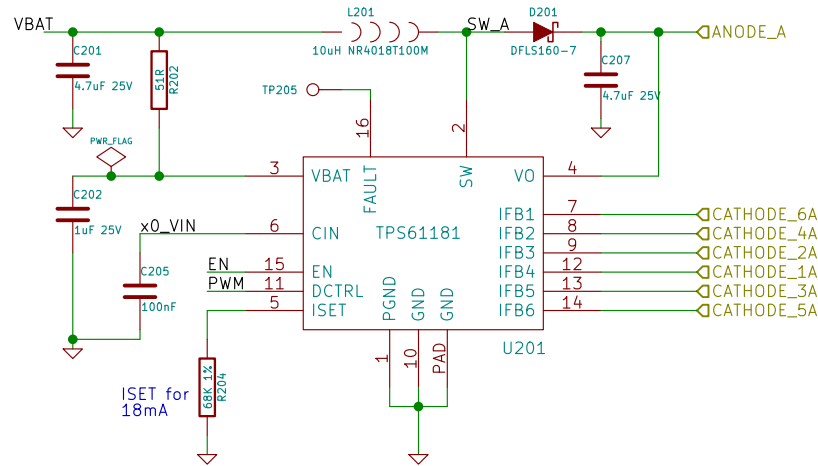
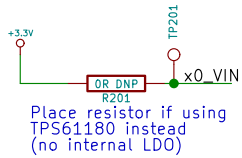
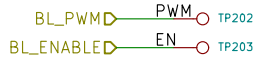


Backlight Driver

18mA per string, 110mA per converter



(C) Angus Gratton 2014
Creative Commons Attribution Sharealike License

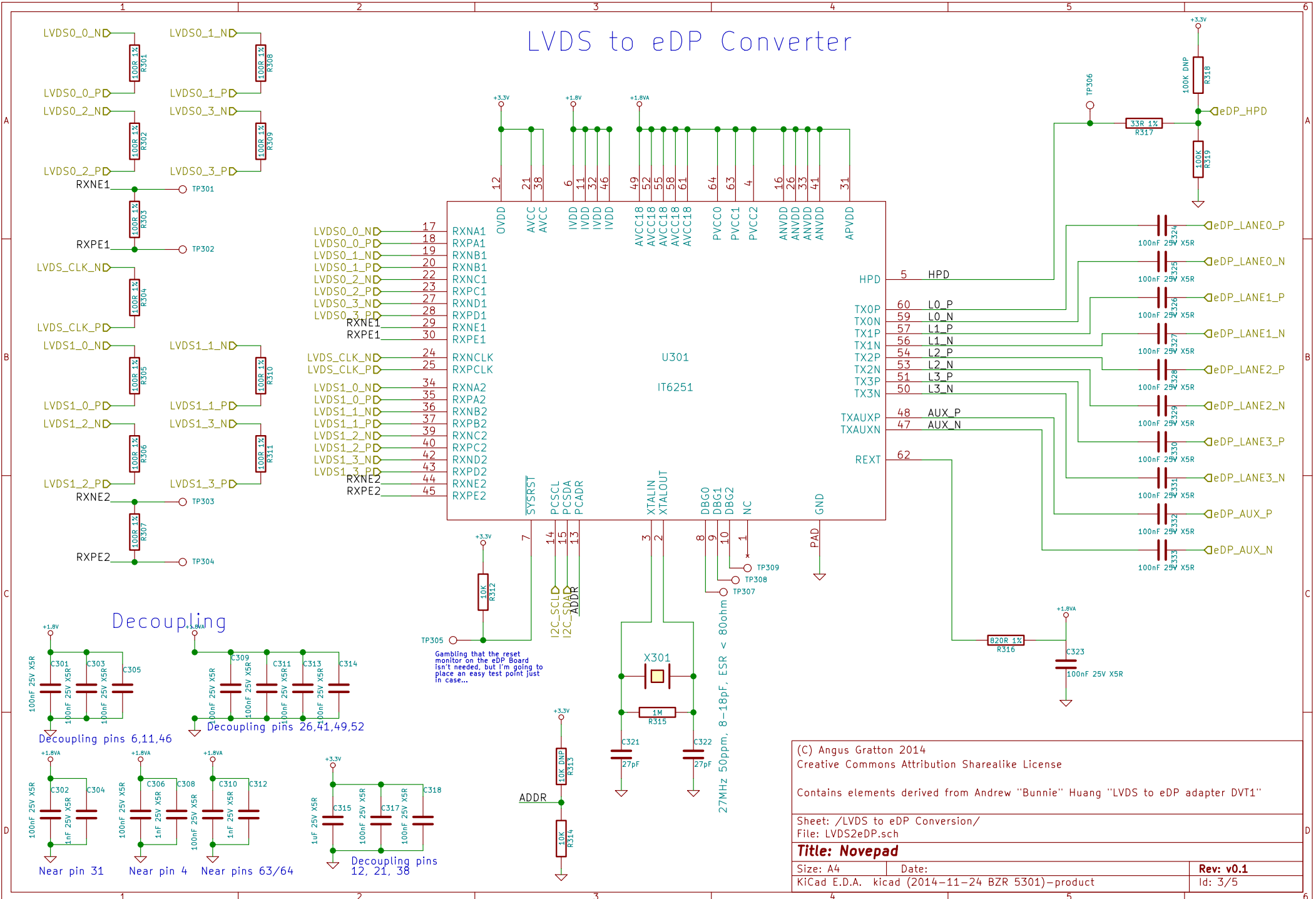
Sheet: /Backlight Driver/
File: Backlight.sch

Title: Novepad

Size: A4 | Date: |
KiCad E.D.A. kicad (2014-11-24 BZR 5301)-product

Rev: v0.1
Id: 2/5

LVDS to eDP Converter



(C) Angus Gratton 2014
Creative Commons Attribution Sharealike License

Contains elements derived from Andrew "Bunnie" Huang "LVDS to eDP adapter DVT1"

Sheet: /LVDS to eDP Conversion/
File: LVDS2eDP.sch

Title: Novepad

Size: A4

Date:

Rev: v0.1

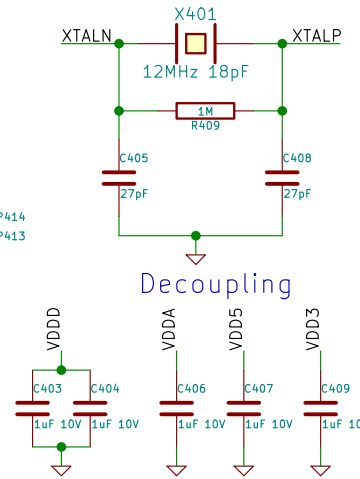
KiCad E.D.A. kicad (2014-11-24 BZR 5301)-product

Id: 3/5

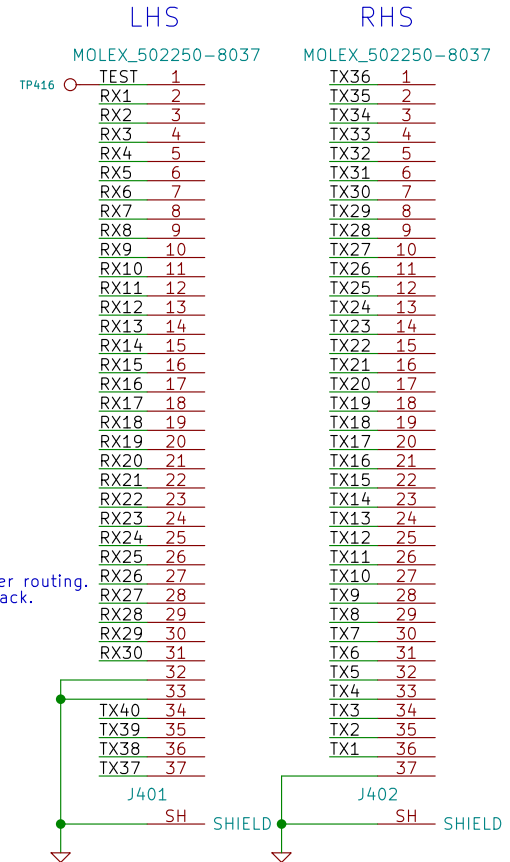
Optional CapTouch Interface

- To test non-USB operation:
- Remove R406, place R405 to pull PSEL low
 - Place 0 ohm jumper R407 between VDD3 & 3.3V
 - Remove VBUS inductor L401

Crystal (req for USB operation)

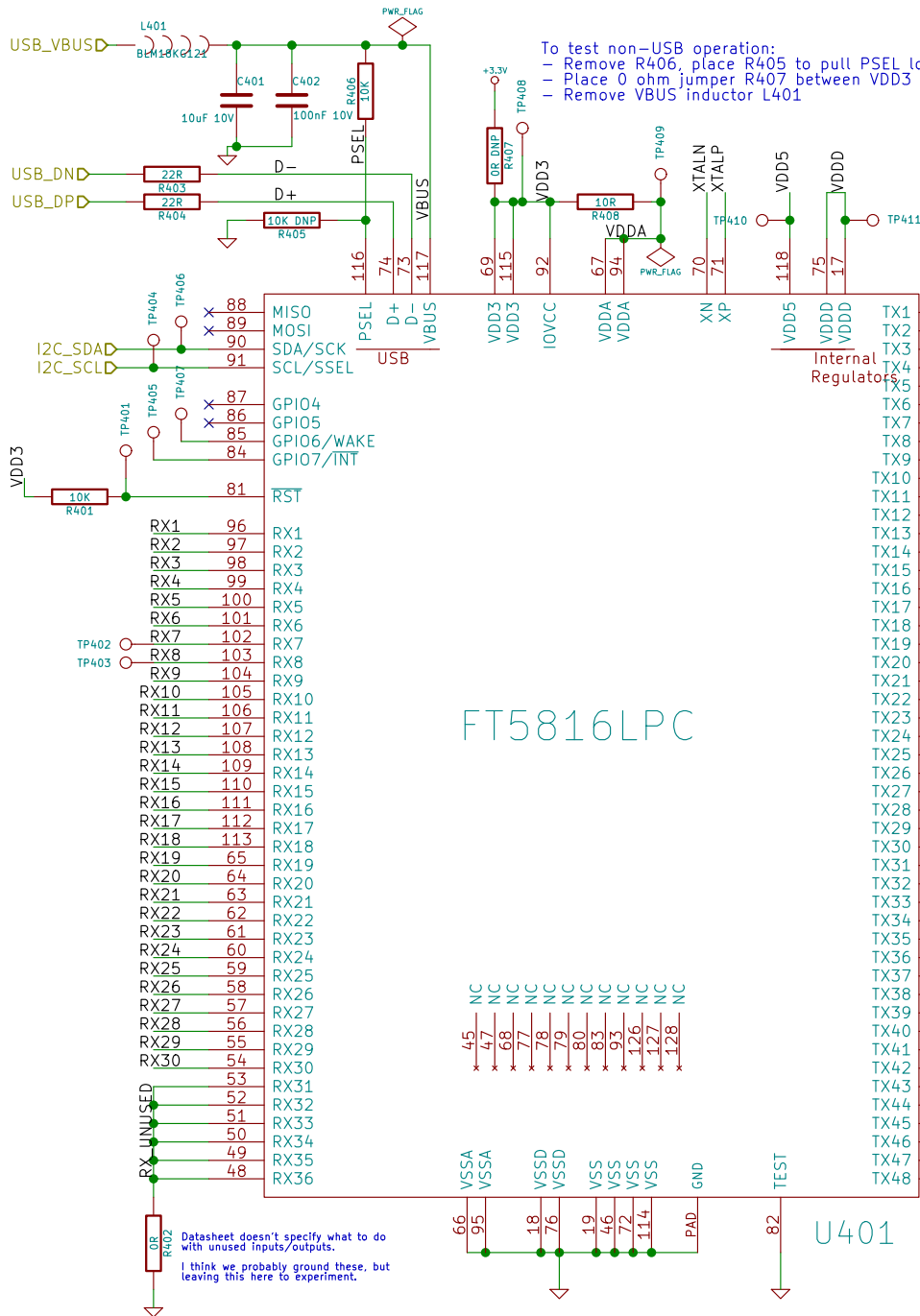


Touchscreen Connectors



Note: both TX and RX order is reversed for easier routing. Should mean X and Y axes are reversed in reaback.

FT5816LPC



U401

(C) Angus Gratton 2014
Creative Commons Attribution Sharealike License

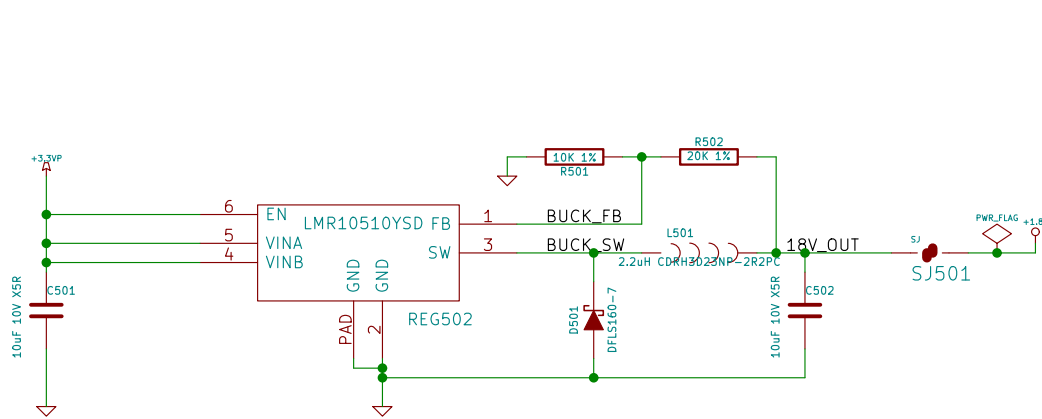
Sheet: /Capacitive Touch (Optional)/
File: captouch.sch

Title: Novepad

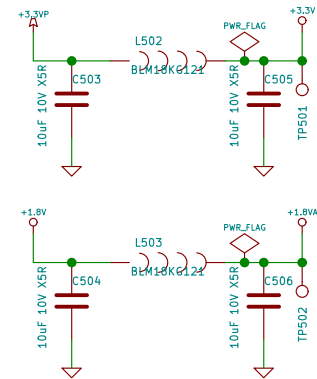
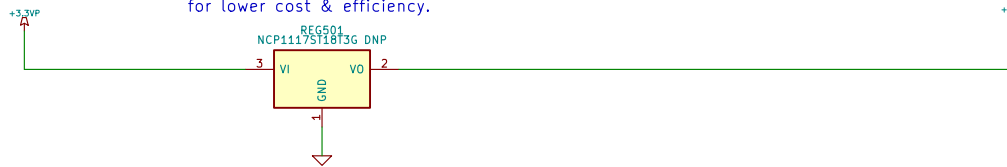
Size: A4 Date: KiCad E.D.A. kicad (2014-11-24 BZR 5301)-product

Rev: v0.1
Id: 4/5

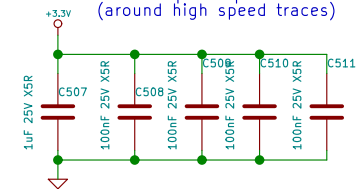
Power



Optional alt footprint LDO option for lower cost & efficiency.



Additional Decoupling for 3.3V power plane (around high speed traces)



(C) Angus Gratton 2014
Creative Commons Attribution Sharealike License

Contains elements derived from Andrew "Bunnie" Huang "LVDS to eDP adapter DVT1"

Sheet: /Power/
File: Power.sch

Title: Novepad

Size: A4 Date: KiCad E.D.A. kicad (2014-11-24 BZR 5301)-product

Rev: v0.1
Id: 5/5